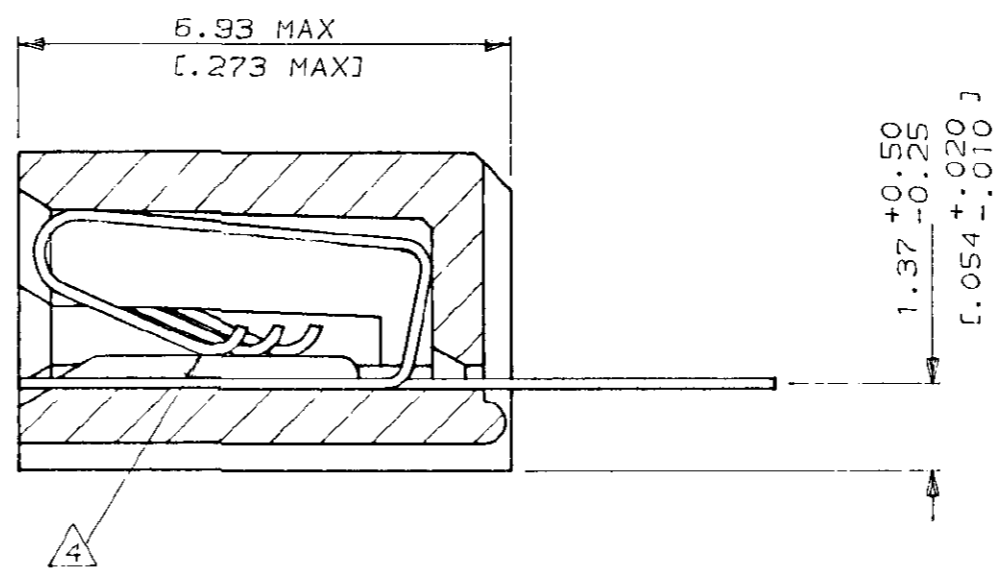
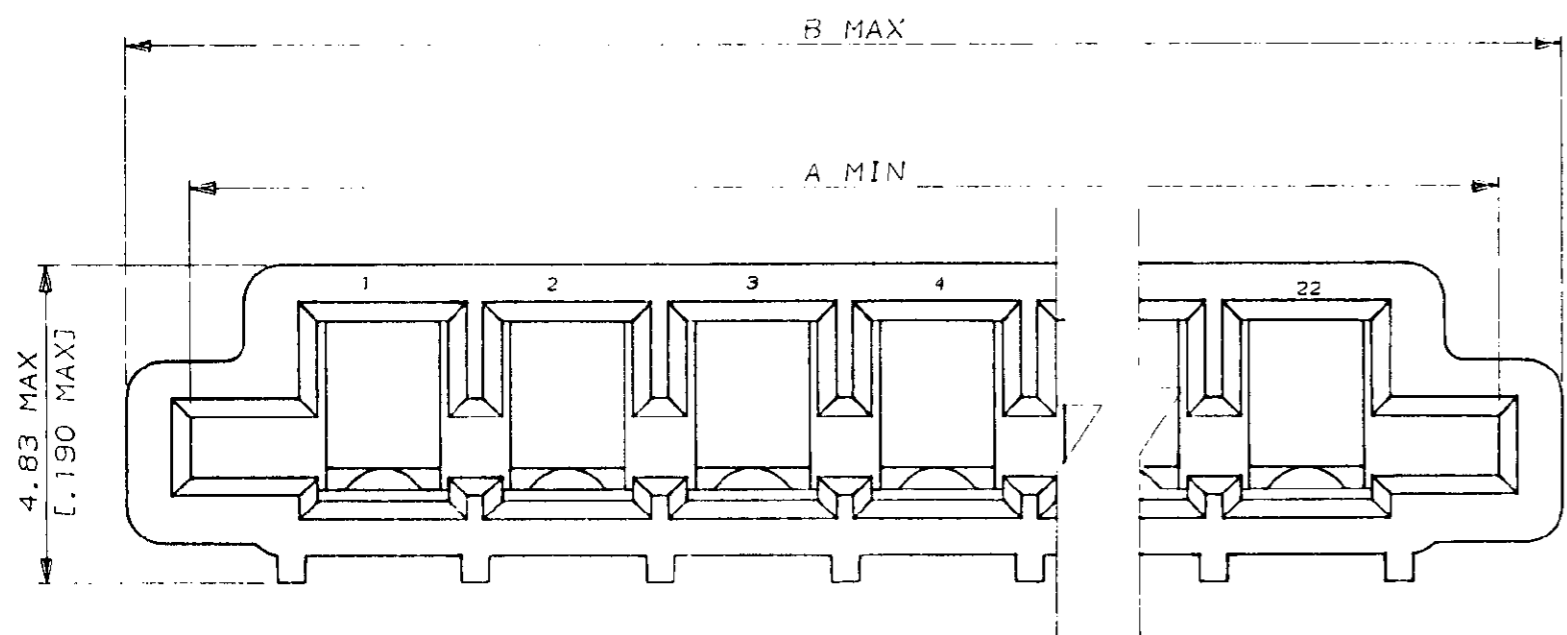
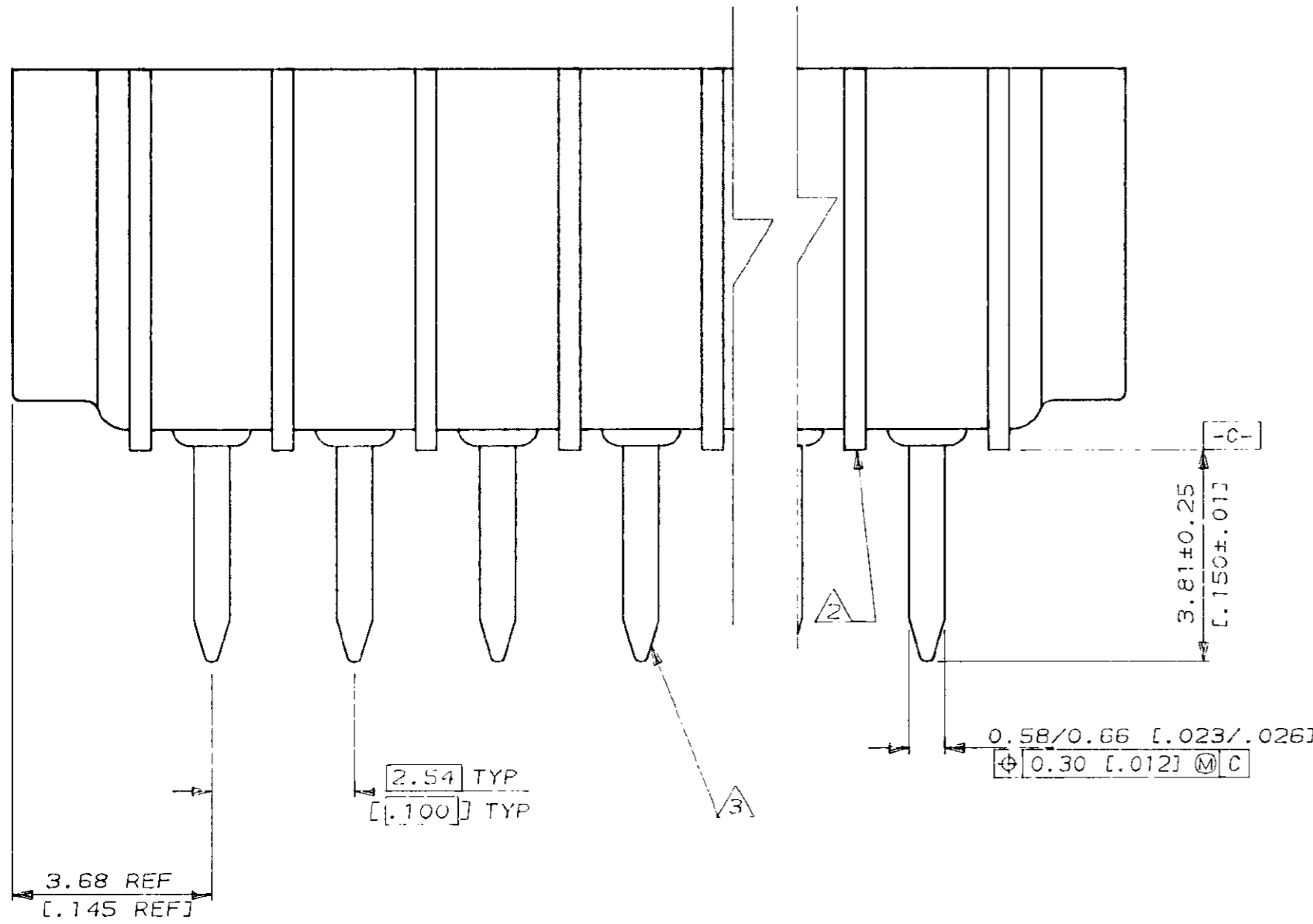


520355  
METRIC  
3rd ANGLE PROJECTION



NOTES

- 1 CONNECTOR WILL ACCEPT FLEXIBLE PRINTED CIRCUIT OR FLAT FLEXIBLE CABLE ON 2.54 [.100] CENTERS IN A THICKNESS RANGE OF 0.127 TO 0.381 [.005 TO .015] IN CONTACT AREA
- 2 STAND-OFFS PREVENT SOLVENT ENTRAPMENT
- 3 LEAD-IN ON PINS FOR EASE OF INSERTION INTO BOARD
- 4 SEQUENTIAL CONTACTS REDUCE CABLE INSERTION FORCE
- 5 ACCEPTS CABLE OR CIRCUITRY WITH EXPOSED CONDUCTORS FACING TOWARD OR AWAY FROM THE BOARD SURFACE
- 6 REFER TO APPLICATION SPEC 114-2062
- 7 MATERIAL  
HOUSING : GLASS REINFORCED POLYESTER THERMOPLASTIC UL 94 V0 RATED, BLACK  
CONTACT : PHOS BRONZE WITH MATTE TIN FINISH
- 8 OBSOLETE PARTS: OBSOLETE CIS STREAMLINING PER D.RENAUD/D.SINISI



	LEAD FREE				SUPERSEDED
<del>8</del>	<del>7-520355-2</del>	60.78 [ 2.393 ]	58.57 [ 2.306 ]	22	<del>2-520355-2</del>
<del>8</del>	<del>7-520355-1</del>	58.24 [ 2.293 ]	56.03 [ 2.206 ]	21	<del>2-520355-1</del>
	7-520355-0	55.70 [ 2.193 ]	53.49 [ 2.106 ]	20	2-520355-0
<del>8</del>	6-520355-9	53.16 [ 2.093 ]	50.95 [ 2.006 ]	19	<del>1-520355-9</del>
<del>8</del>	6-520355-8	50.62 [ 1.993 ]	48.41 [ 1.906 ]	18	<del>1-520355-8</del>
<del>8</del>	6-520355-7	48.08 [ 1.893 ]	45.87 [ 1.806 ]	17	<del>1-520355-7</del>
<del>8</del>	6-520355-6	45.54 [ 1.793 ]	43.33 [ 1.706 ]	16	<del>1-520355-6</del>
<del>8</del>	6-520355-5	43.00 [ 1.693 ]	40.79 [ 1.606 ]	15	<del>1-520355-5</del>
<del>8</del>	6-520355-4	40.46 [ 1.593 ]	38.25 [ 1.506 ]	14	<del>1-520355-4</del>
<del>8</del>	6-520355-3	37.92 [ 1.493 ]	35.71 [ 1.406 ]	13	<del>1-520355-3</del>
<del>8</del>	6-520355-2	35.38 [ 1.393 ]	33.17 [ 1.306 ]	12	<del>1-520355-2</del>
<del>8</del>	6-520355-1	32.84 [ 1.293 ]	30.63 [ 1.206 ]	11	<del>1-520355-1</del>
<del>8</del>	6-520355-0	30.30 [ 1.193 ]	28.09 [ 1.106 ]	10	<del>1-520355-0</del>
<del>8</del>	5-520355-9	27.76 [ 1.093 ]	25.55 [ 1.006 ]	9	<del>520355-9</del>
<del>8</del>	5-520355-8	25.22 [ .993 ]	23.01 [ .906 ]	8	<del>520355-8</del>
<del>8</del>	5-520355-7	22.68 [ .893 ]	20.47 [ .806 ]	7	<del>520355-7</del>
<del>8</del>	5-520355-6	20.14 [ .793 ]	17.93 [ .706 ]	6	<del>520355-6</del>
<del>8</del>	5-520355-5	17.60 [ .693 ]	15.39 [ .606 ]	5	<del>520355-5</del>
<del>8</del>	5-520355-4	15.06 [ .593 ]	12.85 [ .506 ]	4	<del>520355-4</del>
<del>8</del>	5-520355-3	12.52 [ .493 ]	10.31 [ .406 ]	3	<del>520355-3</del>
<del>8</del>	5-520355-2	9.98 [ .393 ]	7.77 [ .306 ]	2	<del>520355-2</del>
	PART NO	B	A	POS	PART NO

DIMENSIONS IN MM (INCHES). DO NOT SCALE PRINT

PRINT DIST

Copyright ©1993 AMP MFG (S) PTE LTD. ALL RIGHTS RESERVED.

**AMP** AMP MANUFACTURING (S) PRIVATE LIMITED

L2	REVISED PER ECO-09-026346	KK	AEG	20NOV93	(WIRE RANGE)	(INSULATION DIA.)	(NAME)
L1	REVISED ECR-06-004332	PM	KS	21FEB06	mm <sup>2</sup> (AWG - )	mm	TRIO-MATE
L	REVISED FR00-0011-04	SD	PCH	15FEB04	(MATERIAL)	(FINISH) CONTACTS	VERTICAL CABLE ENTRY
K	REDRAWN BY/EC/0799	LWY	SL	30.7.93	△	MATTE TIN/LEAD PLATED	FOR 2.36 [.093] THK P.C. BOARD
LTR	(REVISION RECORD)	DR	CHK	DATE	DR.	DE.	(GENERAL TOLERANCE)
					WYLE	A. SOH	±0.38
					SALLY	PETER DE JONG	[±.015]

SIZE	LOC	(No.)
A2	DY	520355
(SCALE)	REV.	SHEET
10:1	L2	1 OF 1

(CUSTOMER DRAWING)